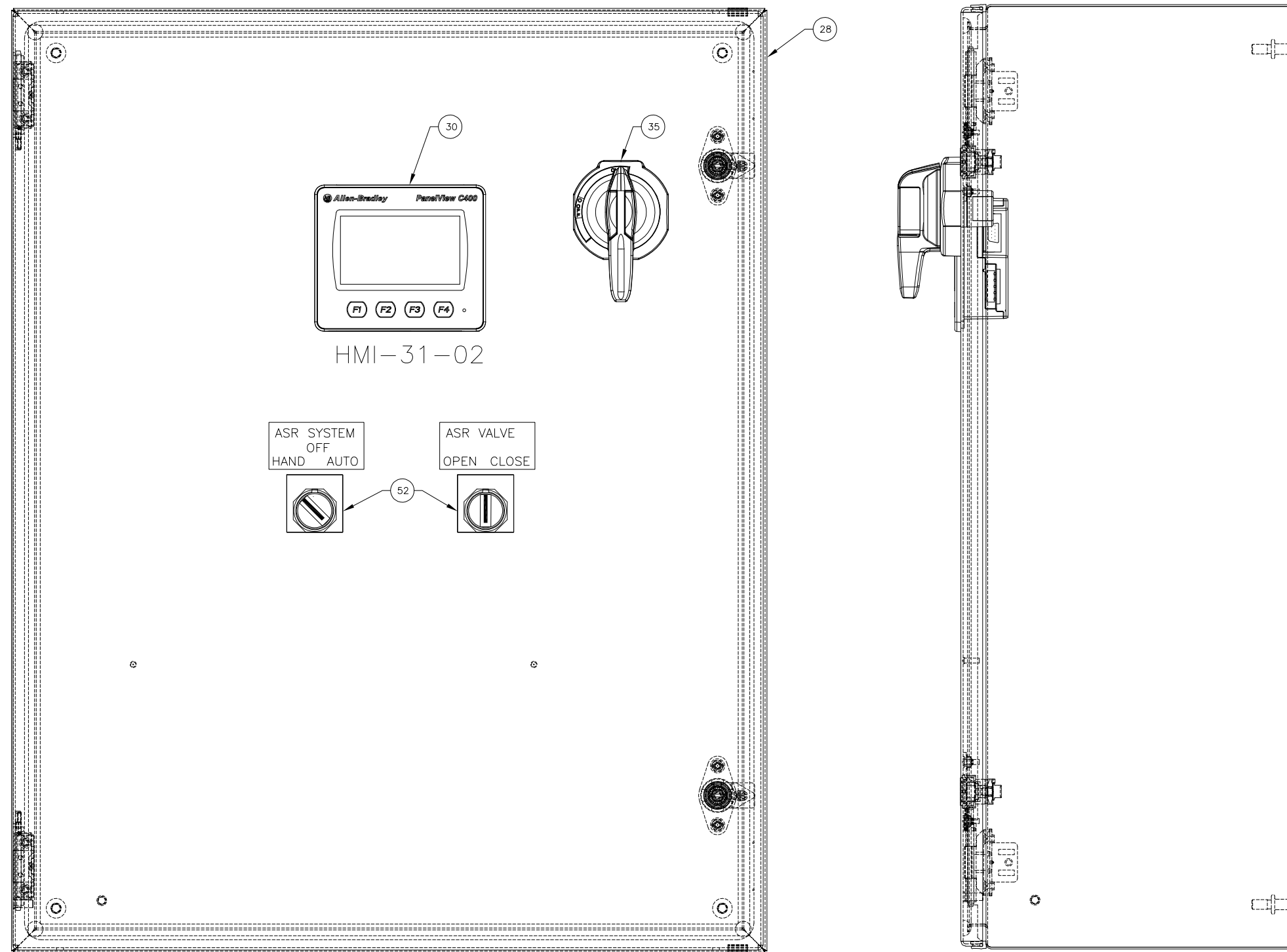


3R VALVE CONTROL PANEL ENCLOSURE ELEVATION



NO.	DATE	DESCRIPTION	BY:	NO.	DATE	DESCRIPTION	BY:

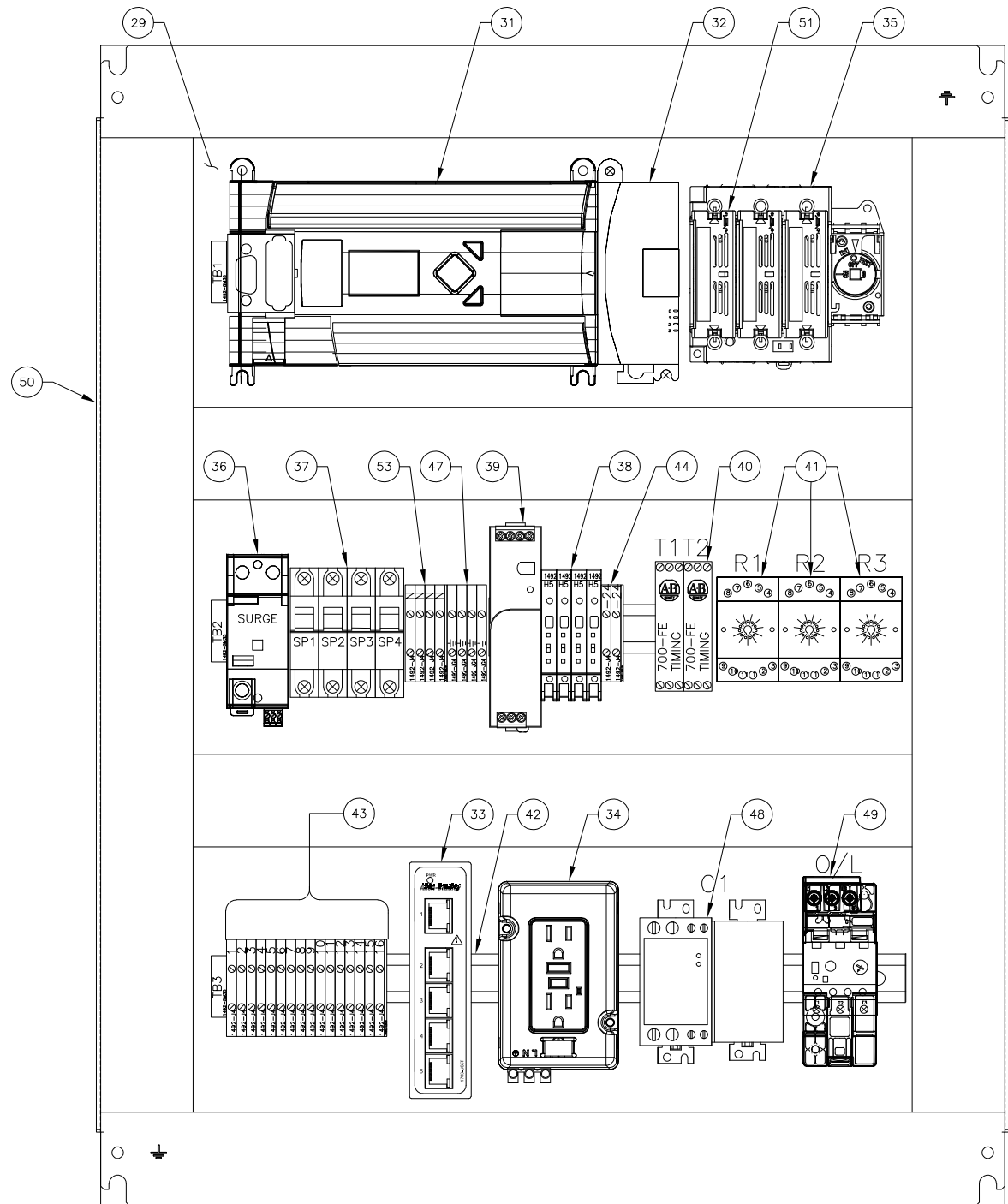
DESIGN BY: DGG	DATE: 1-25-2017	DRAWN BY: DGG	DATE: 1-25-2017
SIMTEK JOB NUMBER: WOXXX	ELECTRONIC FILE NUMBER: WOXXX-E01	SHEET NUMBER: WOXXX-E01	

**SIMTEK**  
 INDUSTRIAL CONTROLS & AUTOMATION, LLC  
 1706 NW 52nd ST  
 Pendleton, Oregon 97801  
 541-276-5500 541-561-1561

3R Valve, LLC  
 PUMP CONTROL PANEL  
 ENCLOSURE\_ELEVATION  
 230\_VAC\_OPERATING\_VOLTAGE

SHEET NUMBER  
**CSTR-4  
 E01**

**3R VALVE CONTROL PANEL ELEVATION**



DESIGN BY:	DRAWN BY:	DATE:
DGG	DGG	1-25-2017
SIMTEK JOB NUMBER:	ELECTRONIC FILE NUMBER:	
WOXXX	WOXXX	

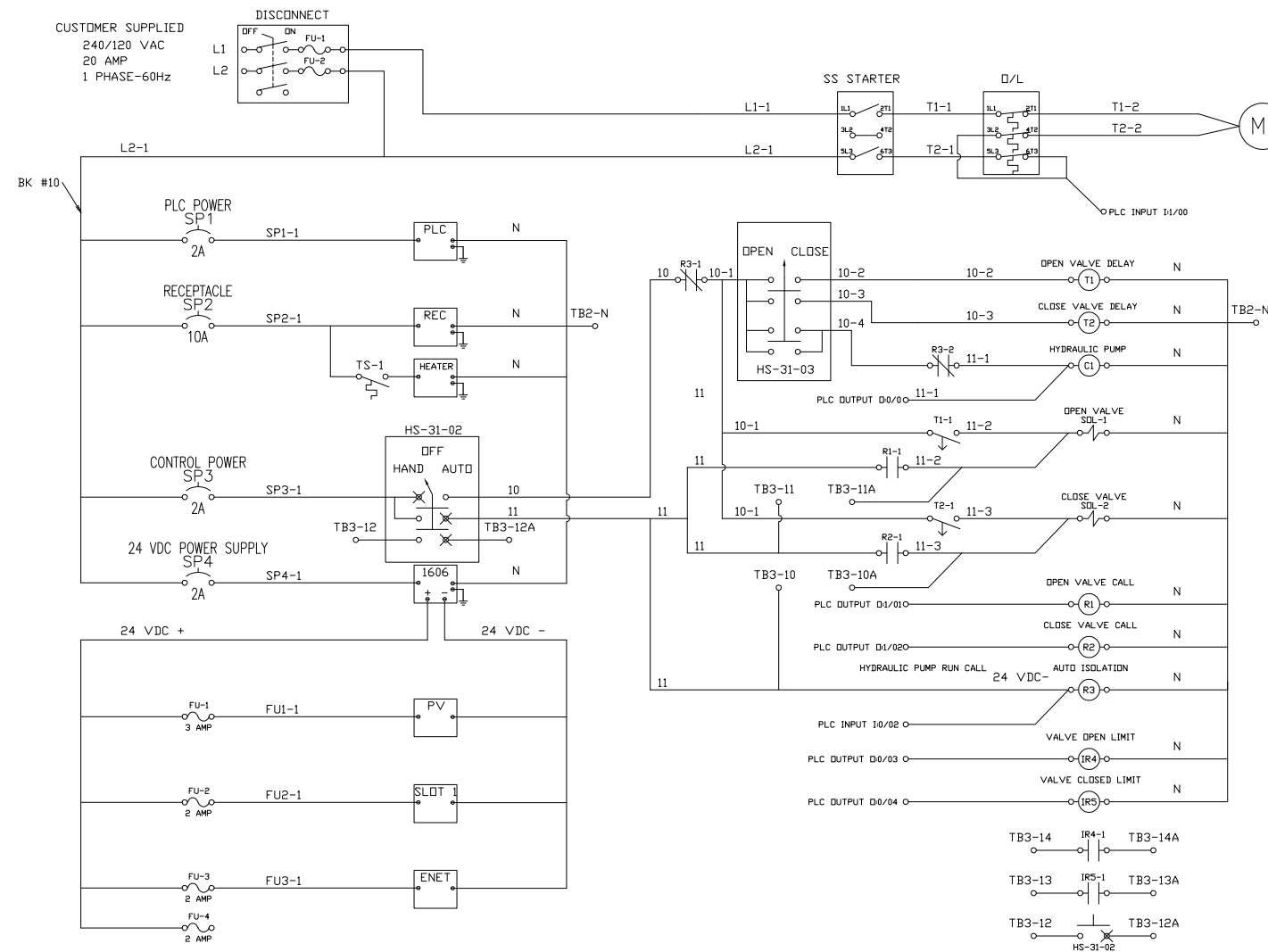
**SIMTEK**  
 INDUSTRIAL CONTROLS & AUTOMATION, LLC  
 1706 NW 52nd ST  
 Pendleton, Oregon 97801  
 541-276-5500 541-561-1561

3R Valve, LLC  
 PUMP CONTROL PANEL  
 PANEL ELEVATION  
 CLUSTER\_4

SHEET NUMBER  
**PNL\_EL  
 E01**

NO.	DATE	DESCRIPTION	BY:	NO.	DATE	DESCRIPTION	BY:

**3R VALVE CONTROL PANEL POWER DISTRIBUTION WIRING DIAGRAM**



NO.	DATE	DESCRIPTION	BY:

DESIGN BY: DGG	DRAWN BY: DGG	DATE: 1-25-2017
SINTEK JOB NUMBER: W0XXX	ELECTRONIC FILE NUMBER: W0XXX-E01	

**SINTEK**  
INDUSTRIAL CONTROLS & AUTOMATION, LLC  
1706 NW 52nd ST  
Pendleton, Oregon 97801  
541-276-5500     541-561-1561

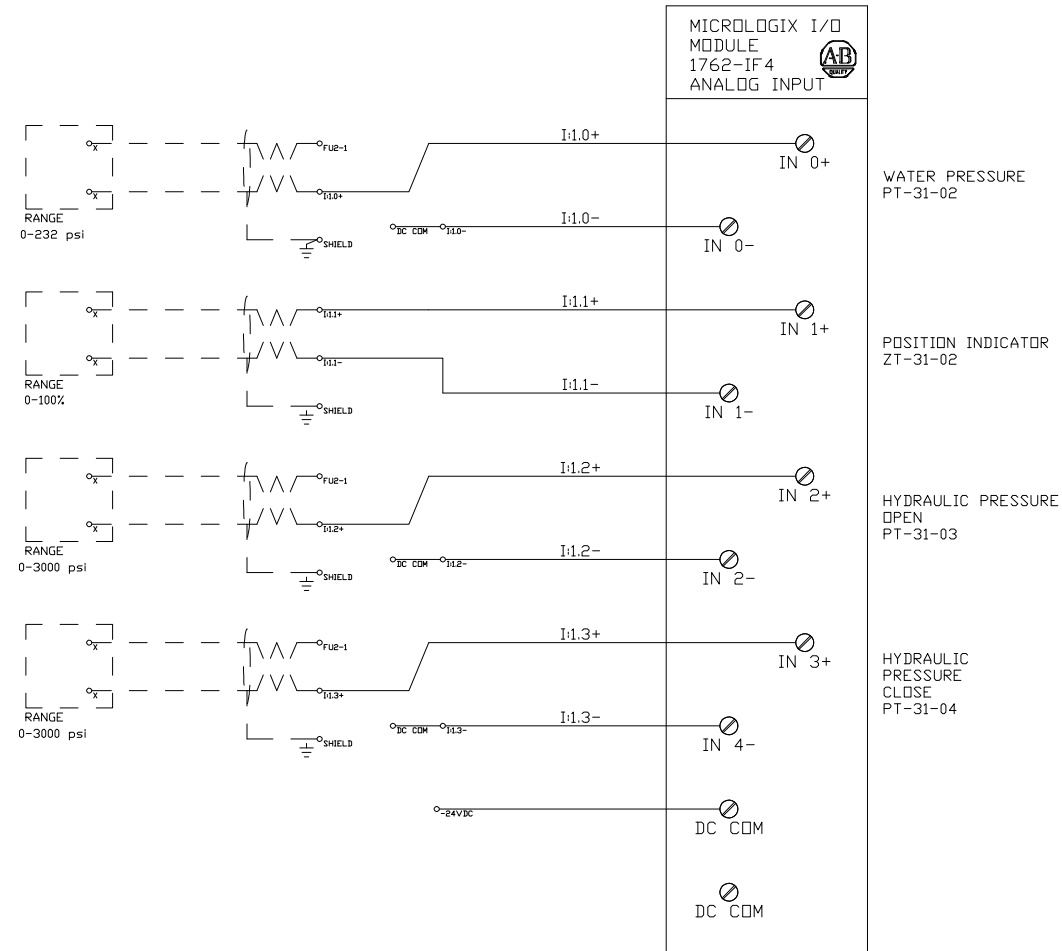
3RValve, LLC  
PUMP CONTROL PANEL  
POWER\_DISTRIBUTION

SHEET NUMBER  
**PWR  
E02**

401  
402  
403  
404  
405  
406  
407  
408  
409  
410  
411  
412  
413  
414  
415  
416  
417  
418  
419

420  
421  
422  
423  
424  
425  
426  
427  
428  
429  
430  
431  
432  
433  
434  
435  
436  
437  
438

SLOT 1



3R VALVE CONTROL PANEL PLC ANALOG INPUTS WIRING DIAGRAM

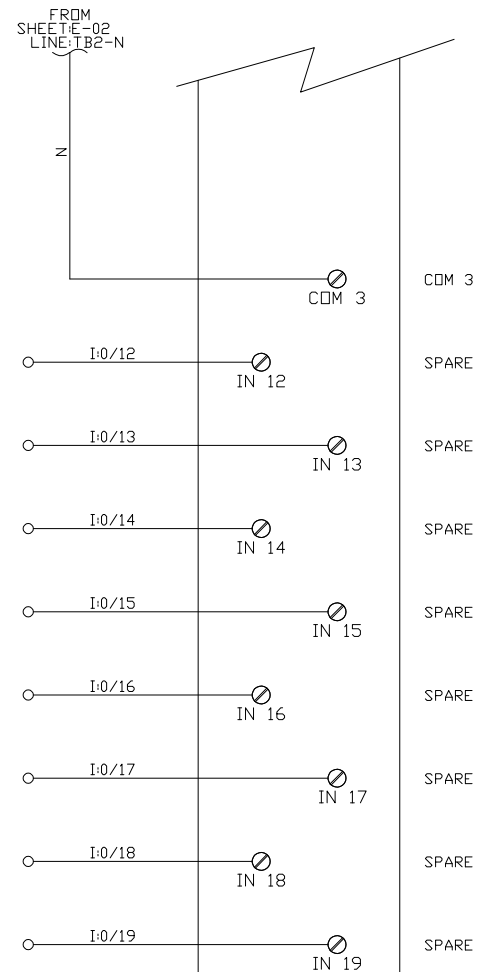
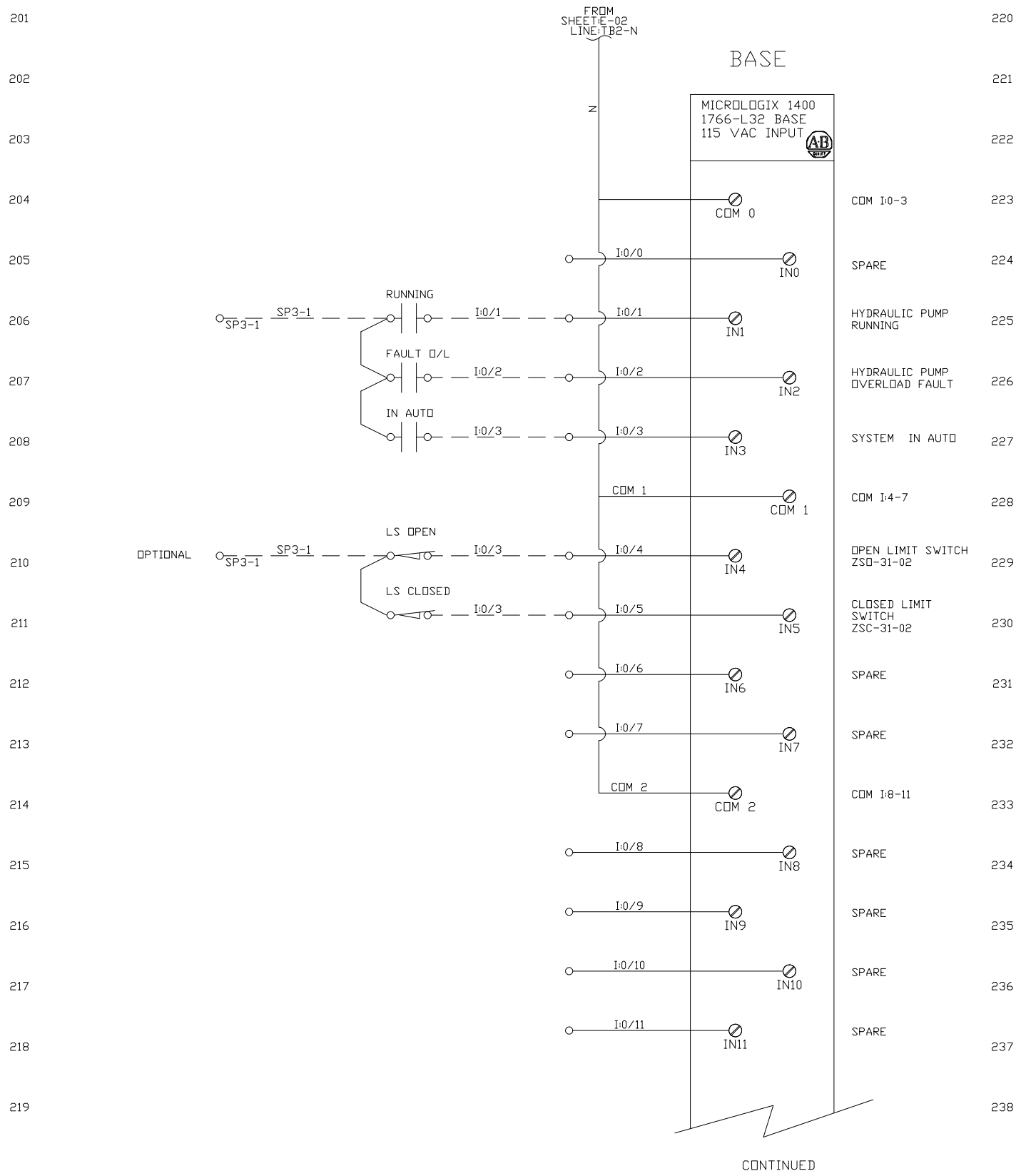
NO.	DATE	DESCRIPTION	BY:	NO.	DATE	DESCRIPTION	BY:

DESIGN BY: DGG	DRAWN BY: DGG	DATE: 1-25-2017
SIMTEK JOB NUMBER: W0XXX	ELECTRICAL FILE NUMBER: W0XXX-E01	

**SIMTEK**  
INDUSTRIAL CONTROLS & AUTOMATION, LLC  
1706 NW 52nd ST  
Pendleton, Oregon 97801  
541-276-5500 541-561-1561

3R Valve, LLC  
PUMP CONTROL PANEL  
PLC\_SLOT\_1\_ANALOG\_INPUTS

SHEET NUMBER  
**AI  
E05**



**3R VALVE CONTROL PANEL PLC DIGITAL INPUTS WIRING DIAGRAM**

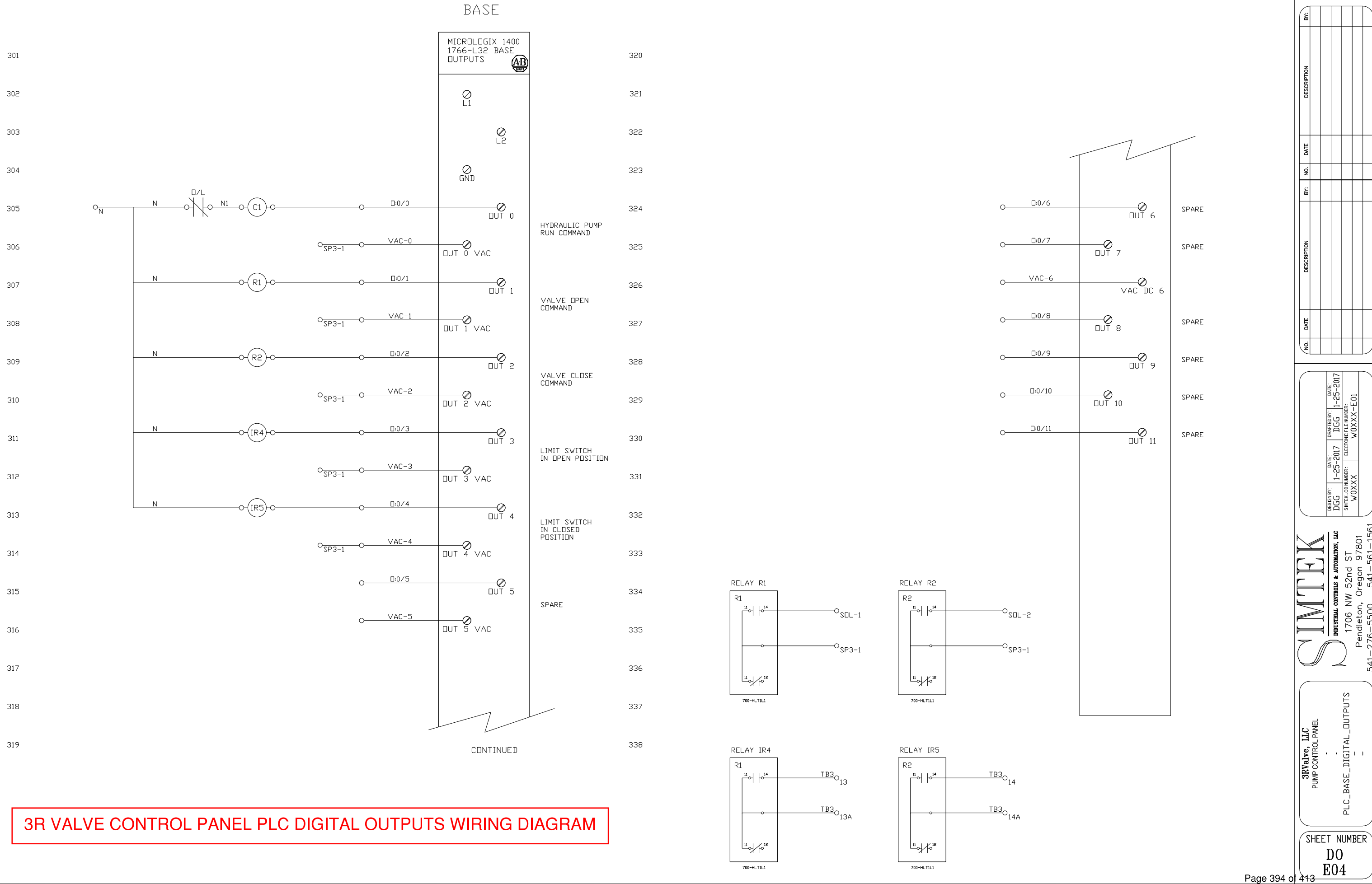
NO.	DATE	DESCRIPTION	BY:

DESIGNER: DGG	DRAWN BY: DGG	DATE: 1-25-2017
SIMTEK JOB NUMBER: W0XXX	ELECTRONIC FILE NUMBER: W0XXX-E01	

**SIMTEK**  
INDUSTRIAL CONTROLS & AUTOMATION, LLC  
1706 NW 52nd ST  
Pendleton, Oregon 97801  
541-276-5500 541-561-1561

3R Valve, LLC  
PUMP CONTROL PANEL  
PLC\_BASE\_DIGITAL\_INPUTS

SHEET NUMBER  
**DI  
E03**



**3R VALVE CONTROL PANEL PLC DIGITAL OUTPUTS WIRING DIAGRAM**

DESIGNED BY: DGG	DRAWN BY: DGG	DATE: 1-25-2017
SIMTEK JOB NUMBER: W0XXX	ELECTRONIC FILE NUMBER: W0XXX-E01	

**SIMTEK**  
INDUSTRIAL CONTROLS & AUTOMATION, LLC  
1706 NW 52nd ST  
Pendleton, Oregon 97801  
541-276-5500 541-561-1561

3R Valve, LLC  
PUMP CONTROL PANEL  
PLC\_BASE\_DIGITAL\_OUTPUTS

SHEET NUMBER  
**DO E04**