

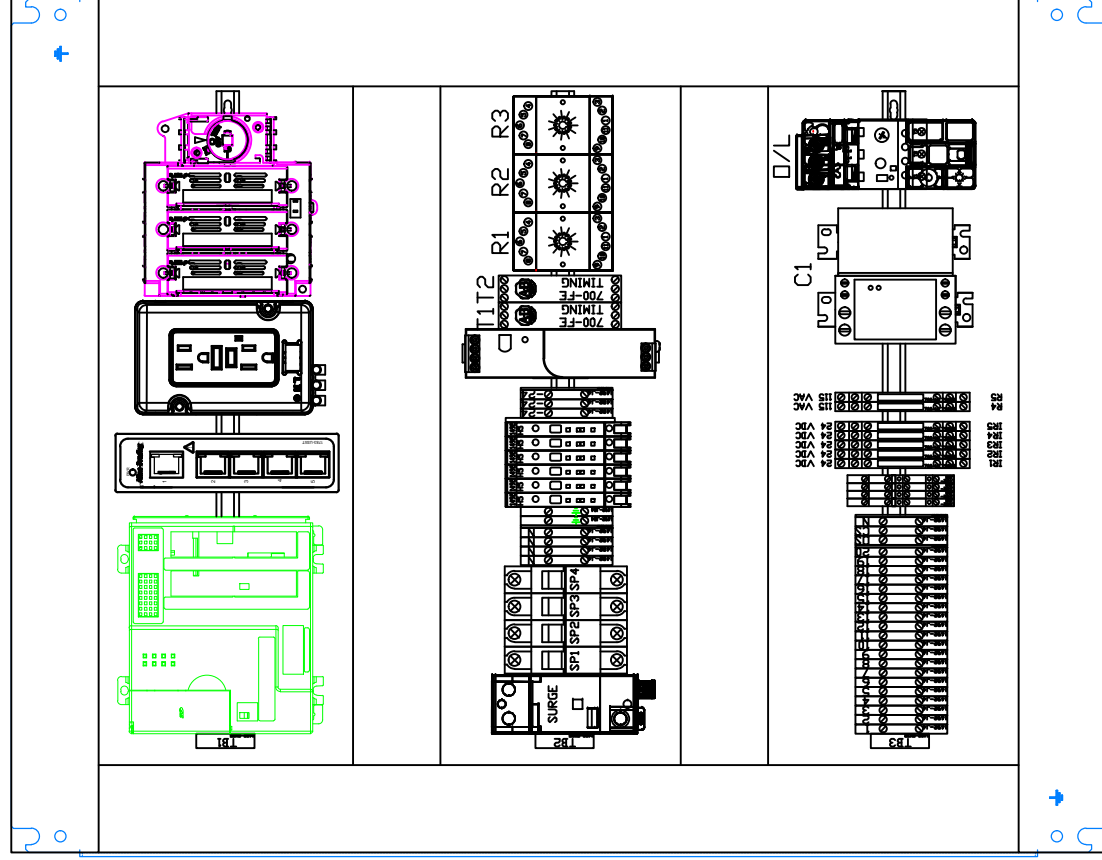
REV	DATE	DESCRIPTION

REV	DATE	DESCRIPTION

**SIMTEK**  
 INDUSTRIAL CONTROL & AUTOMATION, LLC  
 1706 NW 52nd ST  
 Pendleton, Oregon 97801  
 541-278-5500    541-561-1561

**SIMTEK, LLC**  
 ASR PUMP CONTROL PANEL  
 COMPACTLOGIX  
 ENCLOSURE ELEVATION  
 230\_VAC\_OPERATING\_VIL PAGE

**SHEET NUMBER**  
**3R-CLX**  
**E01**



**SIMTEK, LLC**  
ASR PUMP CONTROL PANEL  
COMPACTLOGIX  
PANEL ELEVATION  
230\_VAC OPERATING VOLTAGE

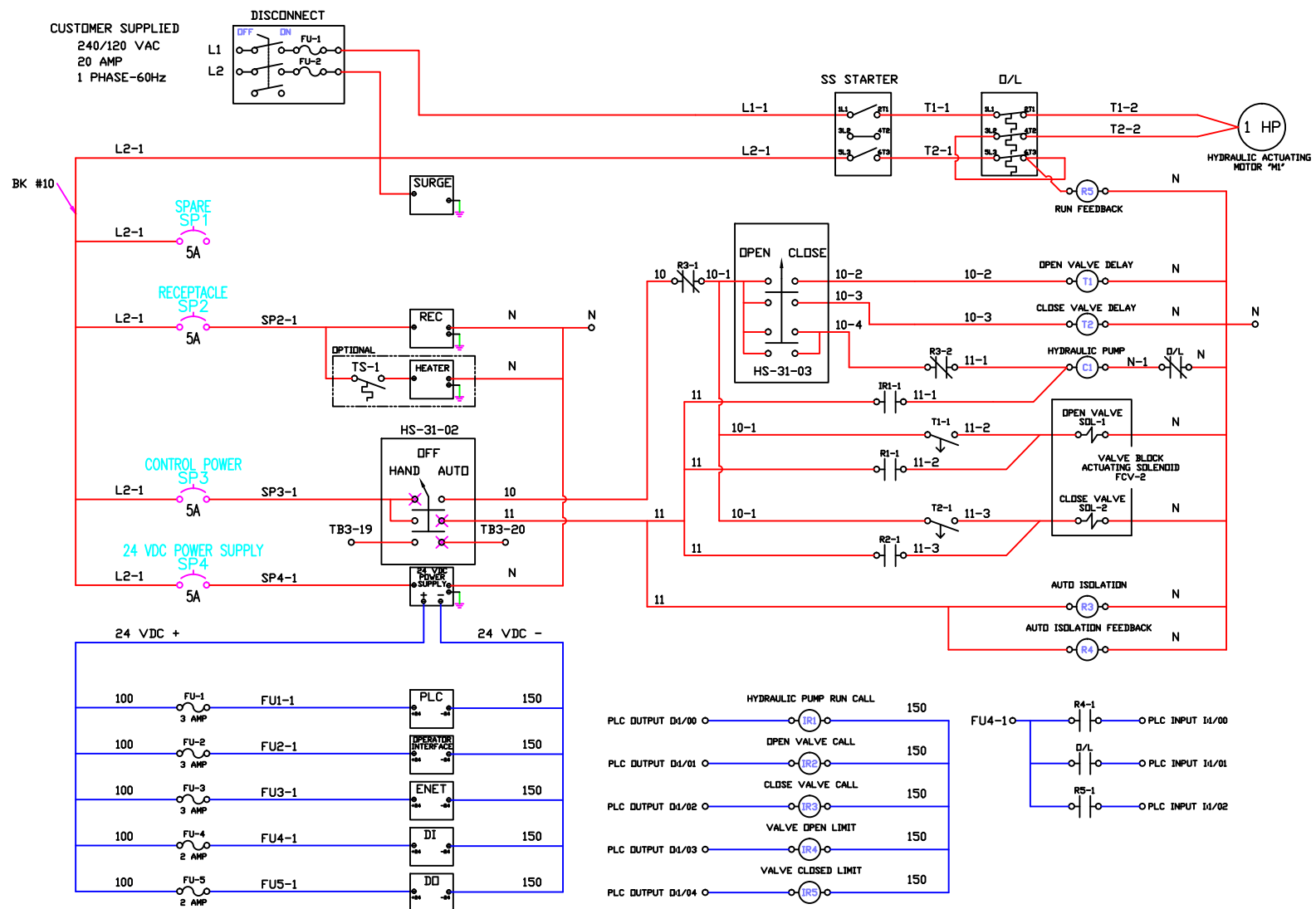
**SIMTEK**  
INTEGRATING CONTROL & AUTOMATION, LLC  
1706 NW 52nd ST  
Pendleton, Oregon 97801  
541-278-5500 541-561-1561

DWG 1-25-2017 FOR DGG 1-25-2017  
DATE 1-25-2017  
SCALE V0000  
TITL V0000-E01

REV.	DATE	DESCRIPTION	BY	DATE	DESCRIPTION

**SHEET NUMBER**  
**3R-CLX**  
**E02**

0000  
0001  
0002  
0003  
0004  
0005  
0006  
0007  
0008  
0009  
0010  
0011  
0012  
0013  
0014  
0015  
0016  
0017  
0018  
0019



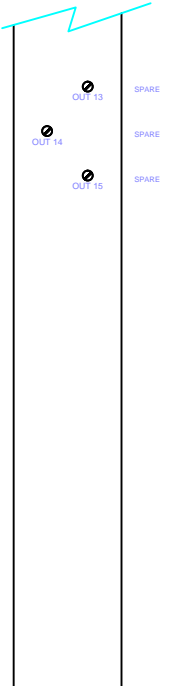
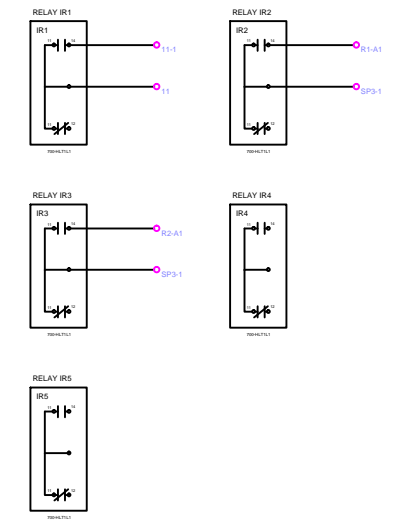
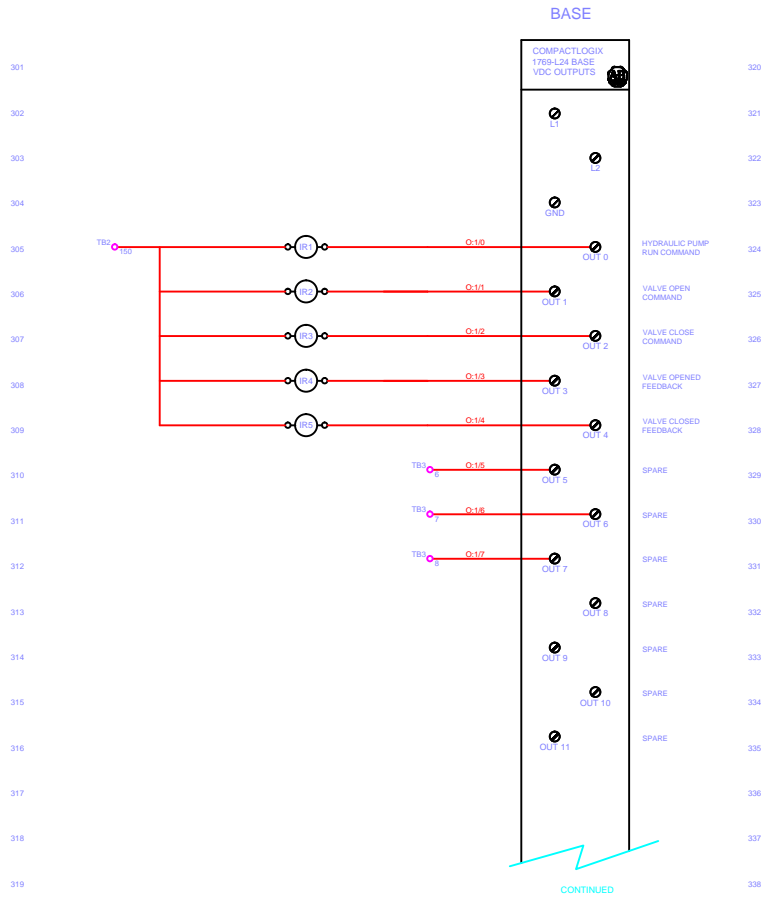
REV.	DATE	DESCRIPTION

REV.	DATE	DESCRIPTION

**SIMTEK**  
INDUSTRIAL CONTROL & AUTOMATION, LLC  
1706 NW 52nd ST  
Pendleton, Oregon 97801  
541-276-5500 541-561-1561

**SIMTEK, LLC**  
ASB PUMP CONTROL PANEL  
COMPACTLOGIX  
POWER DISTRIBUTION

**SHEET NUMBER**  
**3R-CLX**  
**E03**



REV.	DESCRIPTION	REV.	DATE

---

**SIMTEK**  
Pneumatic Control & Instrumentation, Inc.  
1706 NW 52nd ST  
Portland, Oregon 97201  
541-278-3500 541-581-1561

DATE: 1-25-2017  
DRAWN BY: DGG  
CHECKED BY: W00XX  
REVISED BY: W00XX  
REVISED BY: W00XX

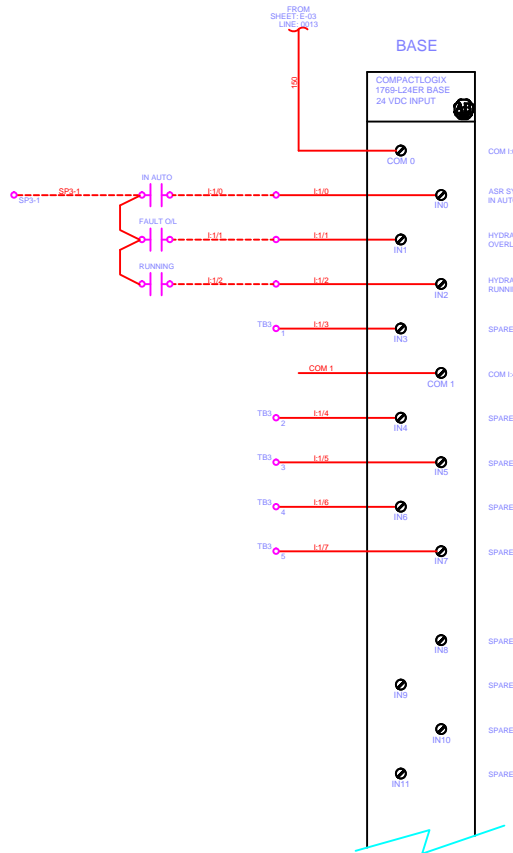
---

**3R Valve, LLC**  
AIR PUMP CONTROL PANEL  
COMPACTLOGIX  
P.L.C. BASE DIGITAL OUTPUTS

SHEET NUMBER  
**3R-CLX  
E05**

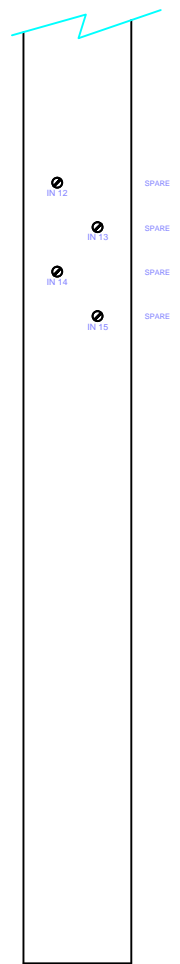
SHEET NUMBER  
**3R-CLX  
E05**

201  
202  
203  
204  
205  
206  
207  
208  
209  
210  
211  
212  
213  
214  
215  
216  
217  
218  
219



CONTINUED

220  
221  
222  
223  
224  
225  
226  
227  
228  
229  
230  
231  
232  
233  
234  
235  
236  
237  
238



NO.	DATE	DESCRIPTION

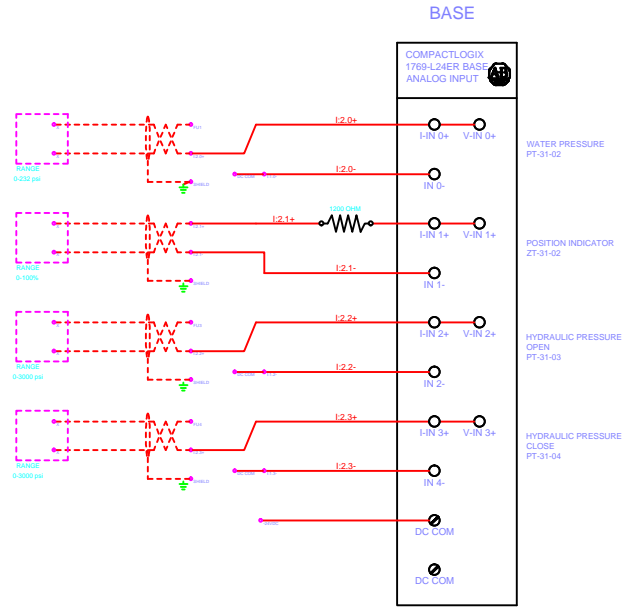
REV.	DATE	DESCRIPTION	BY	CHK.

**SIMTEK**  
1706 NW 52nd ST  
Portland, Oregon 97101  
541-278-3500 541-381-1561

3R/Rev. 1.0  
PUMP CONTROL PANEL  
COMPACTLOGIX  
PLC\_BASE\_DIGITAL\_INPUTS

SHEET NUMBER  
**3R-CLX  
E04**

401  
402  
403  
404  
405  
406  
407  
408  
409  
410  
411  
412  
413  
414  
415  
416  
417  
418  
419



420  
421  
422  
423  
424  
425  
426  
427  
428  
429  
430  
431  
432  
433  
434  
435  
436  
437  
438

REV	DATE	DESCRIPTION

REV	DATE	DESCRIPTION

**SIMTEK**  
1706 NW 52nd ST  
Portland, Oregon 97101  
541-278-5500 541-581-1581

3R-CLX, LLC  
PUMP CONTROL PANEL  
COMPACTLOGIX  
PLC\_BASE\_ANALOG\_INPUTS

SHEET NUMBER  
**3R-CLX**  
**E06**